



## BICYCLE SAFETY HELMET OWNERS MANUAL

### IMPORTANT! PLEASE READ CAREFULLY BEFORE USING YOUR NEW HELMET

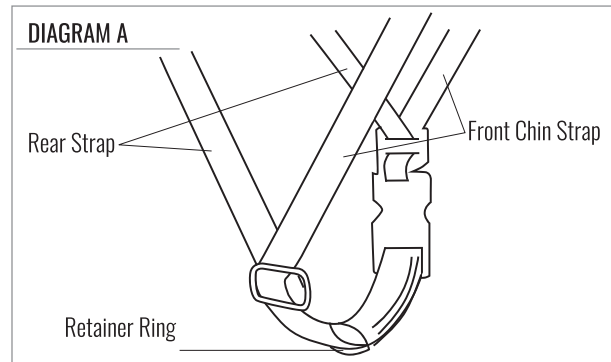
The Bicycle Safety Helmet you have just purchased provides protection, whether on or off the road. To insure proper use of this helmet, familiarize yourself with its features, fit, and care by carefully reading through this manual before wearing your new helmet.

### PROTECTION AND VENTILATION

The outershell allows the helmet to be light while providing excellent durability and integrity. The multiple vents with inner air channels draw the air through the helmet and over the brow for maximum cooling.

### PAD FITTING

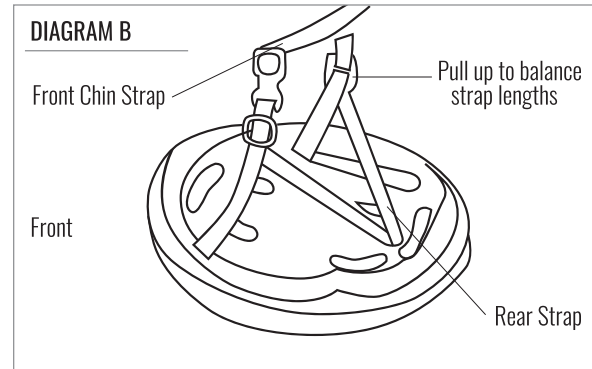
The helmet must fit properly to be effective. With a proper fit, the helmet will not move back and forth or side to side while fastened. If the helmet does not fit with installed pads, simply remove them and install a different size pad. To insure the proper fit, mix and match the pad thickness to best conform to your head shape.



### RETENTION SYSTEM

This Bicycle Safety Helmet uses a quick release buckle that is simple and can be buckled and unbuckled without changing the adjustment. The straps must be snugly and evenly tensioned. Place the helmet firmly on your head and fasten the buckle. Notice which strap is loose. Tighten the loose strap after removing the helmet.

To tighten the chin strap, hold the buckle with one hand. Then pull the excess strap through. (See Diagram A)



To tighten the rear strap, pull excess from the rear of strap 2. Hold the helmet with one hand. With the other hand, hold the strap where they pass under your chin. Then pull from side to side to balance the length of all four straps. (See Diagram B)

The helmet must sit firmly and level on your head. (See Diagram C) To lower the front of the helmet to cover your forehead, tighten the chin strap and loosen the rear strap. To raise the front, loosen the chin strap and tighten the rear strap.

To check for proper tension, put on the helmet and fasten the buckle. Open your mouth. You should feel the strap pulling against your chin.

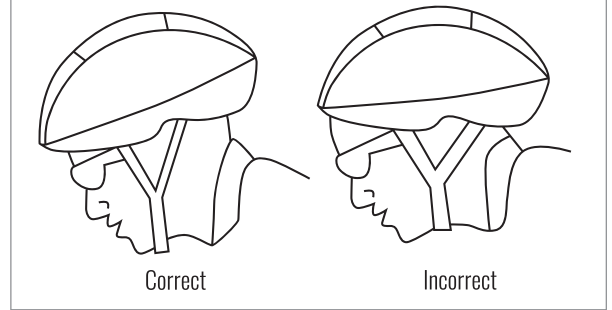
Then attempt to pull the helmet off the front or rear. If the helmet comes off, increase strap tension and examine if thick enough pads are being used. The helmet should not be able to roll forward or backward excessively. It should not be possible to remove the helmet without unfastening the buckle.

NOTE: Please check adjustment every time this helmet is worn.

### FIT

When fitted correctly the helmet will not slide when you tilt your head to front to back or side to side. If it does move adjust the straps to for a snug fit. It is important for the helmet to fit snugly on your head and must be fastened to provide maximum protection.

DIAGRAM C



All adjustments should be checked each time the helmet is worn, making sure it fits snugly at all times.

### CARING FOR YOUR HELMET

Clean the headgear with mild soap and water only. The use of any solvents, paints, or decals can cause damage to the helmet and make it ineffective in the result of an accident.

### KEEP HELMET OUT OF EXTREME HEAT

Helmets will be damaged if exposed to temperatures exceeding 150 F. Dark vehicles and storage bags can exceed this on very hot days. Heat damaged helmets will have random disfigured areas where the texture appears bubbly and uneven. If damaged, helmets should be destroyed and replaced immediately.

### IMPORTANT INFORMATION

This headgear is designed to absorb the energy of a blow by partial destruction or damage itself. Even though such damage may not be visible, the helmet should be destroyed or replaced, if it is involved in an injury-related fall. Unfortunately, some accidents result in head injury that cannot be prevented by ANY helmet. Depending on the type of impact, even very low speeds can result in a serious head injury or fatality. Always ride with extreme caution and be sure to read this manual thoroughly.

### BICYCLE HELMETS - WARNING

This bicycle Safety Helmet is designed and intended exclusively for use while cycling. It is not intended for and will not provide adequate, safe protection if used during motorsport or moped use. No helmet can protect the wearer against all unforeseeable impacts. However, for maximum protection, the helmet must fit well and all retention straps must be securely fastened.



## LIMITED WARRANTY

All EVO Bicycles sold through and assembled by an authorized EVO dealer are subject to the following terms, conditions and limitations. EVO Bicycle grants each original retail buyer of an EVO Bicycle a non-transferable warranty, subject to the following limitations, terms and conditions, stating that this bicycle, when new, is free of defective materials and workmanship.

### LIFETIME SUMMARY COVERAGE

SUBJECT TO LIMITATIONS, TERMS AND ADDITIONAL CONDITIONS AS EXPLAINED BELOW

- All EVO alloy and steel frames are warranted for the lifetime of the original retail buyer. If at the time of warranty EVO does not have available an equivalent frame, the consumer may be offered a complete bicycle at a discounted price.

### ONE (1) YEAR SUMMARY COVERAGE

SUBJECT TO LIMITATIONS, TERMS AND ADDITIONAL CONDITIONS AS EXPLAINED BELOW

- All EVO forks, parts and components (except wear items such as tires and inner tubes) are warranted for one (1) year from the date on which the original retail buyer made his or her purchase.
- Electronic components of EVO (e.g., consoles, batteries, motors and wiring) are covered separately from EVO Bicycles under the BionX or Shimano warranty programs.
  - [www.ridebionx.com](http://www.ridebionx.com)
  - [www.shimano.com](http://www.shimano.com)

### COMMERCIAL USE SUMMARY COVERAGE

SUBJECT TO LIMITATIONS, TERMS AND ADDITIONAL CONDITIONS AS EXPLAINED BELOW

- All EVO alloy and steel frames used for commercial purposes (rentals, etc.) are warranted for one (1) year from the date on which the original retail buyer made his or her purchase.
- All original EVO forks, parts and components (except wear items such as tires, tubes and grips) if used for commercial purposes are covered for thirty (30) days from the date on which the original retail buyer made his or her purchase.

### ASPECTS NOT COVERED BY THIS LIMITED WARRANTY

- Improper assembly
- Improper maintenance
- Normal wear and tear
- Installation of components, parts or accessories not originally intended for or compatible with the bicycle as sold
- Damage or failure due to accident, misuse, abuse or neglect
- Labor charges for part replacement or changeover
- Paint or finish

## ADDITIONAL CONDITIONS

All warranties are VOID if not assembled by an authorized EVO dealer. This Limited Warranty is made only to the original owner of this new EVO Bicycle or frameset purchased from an EVO dealer, and it shall remain in force only as long as the original owner retains ownership of the EVO Bicycle or frameset. This Limited Warranty is not transferable. In order to exercise your rights under this limited warranty, the bicycle or frameset must be presented to an EVO dealer, together with a receipt, bill of sale or other appropriate written proof of purchase which identifies the bicycle or frameset by serial number. Should this bicycle or any part of it be determined by EVO to be covered by this warranty, it will be repaired or replaced, at the sole option of EVO, which will be conclusive and binding. The original owner shall pay all labor charges connected with the repair or replacement of all parts. Claims made outside the USA and Canada may be subject to fees and additional restrictions. This limited warranty does not apply to normal wear and tear or to claimed defects, malfunctions or failures that result from abuse, neglect, improper assembly, improper maintenance, alteration, collision, crash or misuse. This bicycle has not been designed, engineered, distributed, manufactured or retailed to be equipped with a motor of any kind, for uses in trick riding, ramp riding, jumping, aggressive riding, riding on severe terrain, riding in severe climates, riding with heavy loads, commercial activities or any similar activities; such uses may damage the bicycle and can cause serious injury to the rider, and in all cases will void this warranty.

## USEFUL PRODUCT LIFE CYCLE

Every EVO Bicycle or frameset has a useful product life cycle. The length of that useful product life cycle will vary with the construction and materials of the bicycle or frameset, the maintenance and care the bicycle or frameset receives over its useful product life cycle, and the type and amount of use the bicycle or frameset is subject to. Uses in competitive events, trick riding, ramp riding, jumping, aggressive riding, riding on severe terrain, riding in severe climates, riding with heavy loads, commercial activities and other types of non-standard use can dramatically shorten the useful product life cycle of an EVO Bicycle or frameset. Any one or a combination of these conditions may result in an unpredictable failure of an EVO Bicycle or frameset that would not be covered by this warranty. All EVO Bicycles or framesets should be periodically checked by an EVO dealer for indicators of stress and/or potential failure, including cracks, deformation, corrosion, paint peeling, dents and any other indicators of potential problems, inappropriate use or abuse. These safety checks are very important to help prevent accidents, bodily injury to the rider and shortening of the useful product life cycle of an EVO Bicycle.

This is an integrated and final statement of EVO limited warranty. EVO does not authorize or allow anyone, including its dealers, to extend any other warranties, express or implied, for EVO bicycles. No other representatives and no statements from anyone but EVO, including demonstrations of any kind by anyone, shall create any warranty regarding this bicycle. All of the remedies available to the original owner are stated herein. It is agreed that the liability of EVO under this limited warranty shall be no greater than the amount of the original retail purchase price, and in no event shall EVO be held liable for incidental or consequential damages.

## DISCLAIMER

All other remedies, obligations, liabilities, rights and warranties, express or implied, arising from law or otherwise (including but not limited to any claimed implied warranty of merchantability; any claimed implied warranty arising from course of performance, course of dealing or usage of trade; and any claimed implied warranty of fitness), are disclaimed by EVO Bicycles and waived by the original owner. Some states, jurisdictions, countries and provinces do not allow some or all of the limitations set for herein, or the exclusion or limitation of incidental or consequential damages. If any provision is found unenforceable, only that provision shall be stricken, and all others shall apply. This limited warranty does provide the original owner with certain legal rights and recourse, and the original owner may possess other rights or recourse, depending on the state, jurisdiction, country or province.

## FREQUENTLY ASKED QUESTIONS

Don't see the answer you're looking for, shoot us an email at [info@evobicycle.com](mailto:info@evobicycle.com).

### Who should I contact if I have comments and suggestions regarding EVO products?

If you have any questions or comments on EVO products, please contact us at: [info@evobicycle.com](mailto:info@evobicycle.com).

### Who should I contact if my EVO product has a defect?

If you think your EVO product is defective, please visit the bike dealer where you originally purchased it. Your bike dealer will follow up on all warranty issues, repairs and replacements.

### Where can I buy EVO products?

You can purchase EVO products at your local bike dealer. To find the EVO dealer closest to you, please use our dealer locator. Please visit your bike dealer to find out what items it has in stock.

### What is covered by your limited lifetime warranty?

Our limited lifetime warranty covers defects in materials and workmanship that would keep products from performing optimally. Products are repaired or replaced upon inspection by our after-sales service team.

## CONTACT US

[evobicycle.com](http://evobicycle.com)  
[info@evobicycle.com](mailto:info@evobicycle.com)

### USA

Evo Bicycle  
1181 South Lake Drive  
Lexington, SC 29073

### CANADA

Evo Bicycle  
1000 Des Riveurs  
Levis, QC, Canada G6V 9G3